

"WBE" / High Accuracy, High output

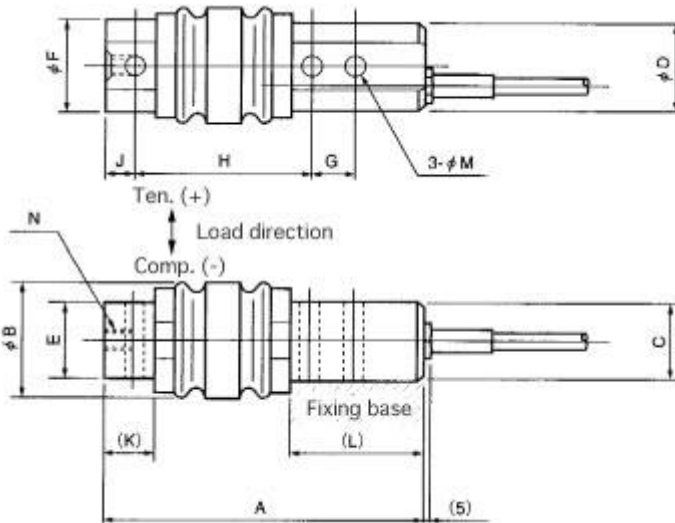


Features

- High accuracy. High output. For versatile applications.
- Meeting the dust-proof and waterdrops-proof requirements because of rubber bellows mounting.
- A wide capacity range (50N to 10kN).
- Supplied with an inspection data sheet to both tension and compression directions.
- Accuracy Class: 0.05%.

Related products : [WBU](#) / [WBS](#)...

Appearance Dimensions



Model and Capacity / Dimension / etc. (unit : mm)

| Model | Capacity | A | B | C | D | E | F | G | H | J | K | L | M | N |
|----------|----------|-----|----|----|----|----|----|----|----|----|----|----|-----|----|
| WBE-50N | 50N | 107 | 40 | 25 | 30 | 25 | 30 | 15 | 60 | 10 | 17 | 44 | 6.5 | M6 |
| WBE-100N | 100N | 107 | 40 | 25 | 30 | 25 | 30 | 15 | 60 | 10 | 17 | 44 | 6.5 | M6 |
| WBE-200N | 200N | 107 | 40 | 25 | 30 | 25 | 30 | 15 | 60 | 10 | 17 | 44 | 6.5 | M6 |
| WBE-500N | 500N | 107 | 40 | 25 | 30 | 25 | 30 | 15 | 60 | 10 | 17 | 44 | 6.5 | M6 |
| WBE-1kN | 1kN | 107 | 40 | 25 | 30 | 25 | 30 | 15 | 60 | 10 | 17 | 44 | 6.5 | M6 |

| | | | | | | | | | | | | | | |
|------------------------|------|-----|----|----|----|----|----|----|----|----|----|----|----|-----|
| WBE-2KN | 2kN | 167 | 55 | 35 | 42 | 35 | 42 | 45 | 83 | 17 | 31 | 81 | 13 | M10 |
| WBE-5KN ^{*1} | 5kN | 167 | 55 | 35 | 42 | 35 | 42 | 45 | 83 | 17 | 31 | 81 | 13 | M12 |
| WBE-10KN ^{*1} | 10kN | 167 | 55 | 35 | 42 | 35 | 42 | 45 | 83 | 17 | 31 | 81 | 13 | M12 |

- * Confirmation to undescribed items to be made with reference to descriptions on instruction manuals or directly to this Company.
- * Items with Marks (※1) are produced only on order placed.

Specifications

| | |
|-------------------------|---------------|
| Safe Overload | 150%RC |
| Rated Output | 3mV/V±1% |
| Nonlinearity | 0.05%RO |
| Hysteresis | 0.05%RO |
| Repeatability | 0.03%RO |
| Excitation Voltage | 12V (or less) |
| Safe Excitation Voltage | 20V |
| Input Rsistance | 350Ω |
| Output Rsistance | 350Ω |
| Compensated Temp.Range | − 10 to 60°C |
| Safe Temp.Range | − 30 to 80°C |

**Strain Gages
& Load Cells**



Micro Sensor Technology

SHOWA MEASURING INSTRUMENTS INC.

Tokyo Japan

Temp.Effect on Zero 0.005%RO/°C

Temp.Effect on Output 0.005%/°C

Cable Φ6mm-4wire shielded cable, length : 3m

■ Instruction Manual · · · · This project is under planning. Please call on us for details, if necessary.