

"WBS" / High Accuracy and Small

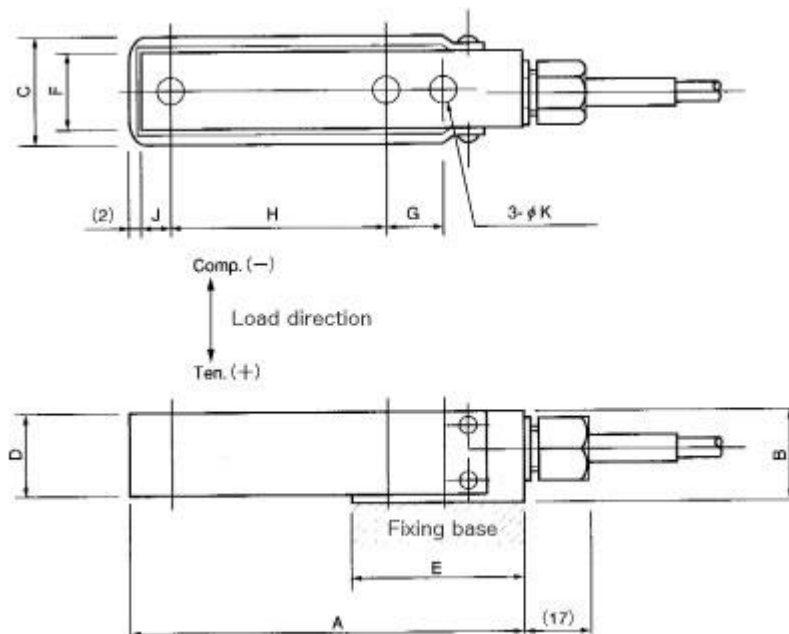


Features

- High accuracy. High output. Low cost.
- Small size and light weight. Simple installation.
- Supplied with an inspection data sheet to both tension and compression directions.
- Applications: For industrial scales, testing machines, and industrial machines...
- Accuracy Class: 0.05%

Related products : [WBU](#) / [WBE](#)...

Appearance Dimensions



Model and Capacity / Dimension / etc. (unit : mm)

Model	Capacity	A	B	C	D	E	F	G	H	J	K	Natural frequency	Weight
WBS-50N	50N	107	25	29	23	48	25	15	60	8	6.5	0.30kHz	300g
WBS-100N	100N	107	25	29	23	48	25	15	60	8	6.5	0.46kHz	300g
WBS-200N	200N	107	25	29	23	48	25	15	60	8	6.5	0.70kHz	300g
WBS-500N	500N	107	25	29	23	48	25	15	60	8	6.5	2.2kHz	300g
WBS-1KN	1kN	107	25	29	23	48	25	15	60	8	6.5	3.4kHz	300g
WBS-2KN	2kN	167	35	39	33	82	35	45	83	15	13	4.6kHz	700g

- * Confirmation to undescribed items to be made with reference to descriptions on instruction manuals or directly to this Company.

Specifications

Safe Overload	150%RC
Rated Output	3mV/V±1%
Nonlinearity	0.05%RO
Hysteresis	0.05%RO
Repeatability	0.03%RO
Excitation Voltage	12V (or less)
Safe Excitation Voltage	20V
Input Resistance	350Ω
Output Resistance	350Ω
Compensated Temp.Range	− 10 to 60°C
Safe Temp.Range	− 30 to 80°C
Temp.Effect on Zero	0.005%RO/°C
Temp.Effect on Output	0.005%/°C
Cable	Φ6mm-4wire shielded cable, length : 3m