

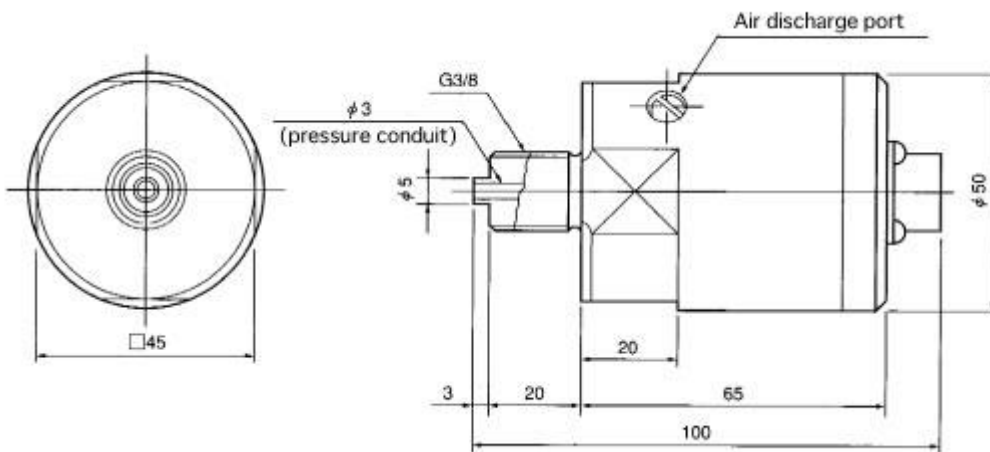
"HVS" / High Accuracy



Features

- High accuracy and high stability type.
- Pressure conduit type. Airtight structure.
- All stainless steel made.
- Accuracy class: 0.15% RO, excluding some rated capacities.
- Most suitable for use in testing machines and the like for the high accuracy detection of hydraulic pressures.

Appearance Dimensions



Model and Capacity / Frequency response / etc. (unit : mm)

Model	Capacity	Natural frequency	Weight
HVS-500KPA	500kPa(5.099kgf/cm ²)	10kHz	0.8kg
HVS-1MPa	1MPa(10.20kgf/cm ²)	16kHz	0.8kg
HVS-2MPa	2MPa(20.39kgf/cm ²)	20kHz	0.8kg
HVS-5MPa	5MPa(50.99kgf/cm ²)	34kHz	0.8kg
HVS-10MPa	10MPa(102.0kgf/cm ²)	44kHz	0.8kg
HVS-20MPa	20MPa(203.9kgf/cm ²)	68kHz	0.8kg
HVS-50MPa	50MPa(509.9kgf/cm ²)	92kHz	0.8kg

- * The weight indicated in the tables of this data sheet does not include the weight of relay cables.
- * The numerical values of the natural frequency indicated in this data sheet are the calculated values of the independent single elastic body. The pressure response is dependent on features of the pressure media and so on.

Specifications

Safe Overload	120%RC
Rated Output	1.0mV/V \pm 1% (500kPa,1MPa)
	1.5mV/V \pm 1% (2MPa to 50MPa)
Nonlinearity	0.3%RO (500kPa,1MPa)
	0.15%RO (2MPa to 50MPa)
Hysteresis	0.3%RO (500kPa,1MPa)
	0.15%RO (2MPa to 50MPa)
Repeatability	0.2%RO (500kPa,1MPa)
	0.1%RO (2MPa to 50MPa)
Excitation Voltage	10V (or less)
Safe Excitation Voltage	15V
Input Resistance	350 Ω
Output Resistance	350 Ω
Compensated Temp.Range	-10 to 60 $^{\circ}$ C
Safe Temp.Range	-20 to 80 $^{\circ}$ C
Temp.Effect on Zero	0.01%RO/ $^{\circ}$ C (500kPa,1MPa)
	0.005%RO/ $^{\circ}$ C (2MPa to 50MPa)
Temp.Effect on Output	0.01%/ $^{\circ}$ C
Connector(on body)	Receptacle / PRC03-21A10-7F
Attached cable	L-A-5 (Refer to transducer connections)